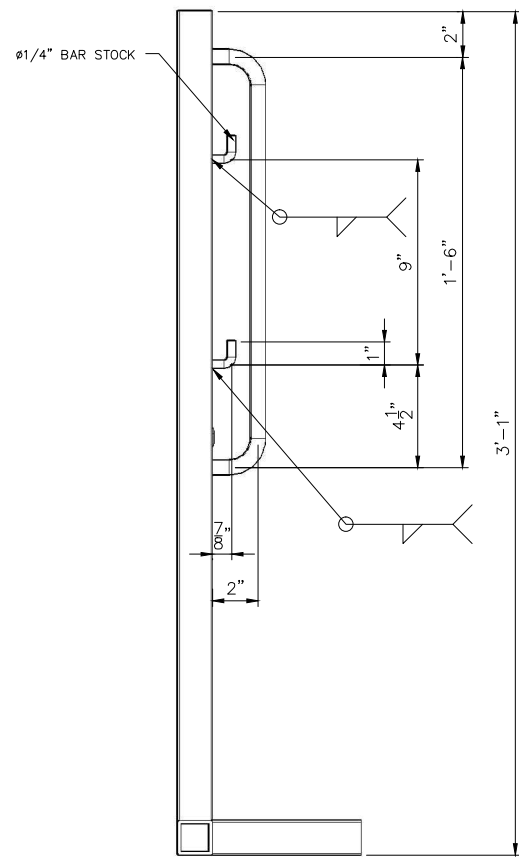
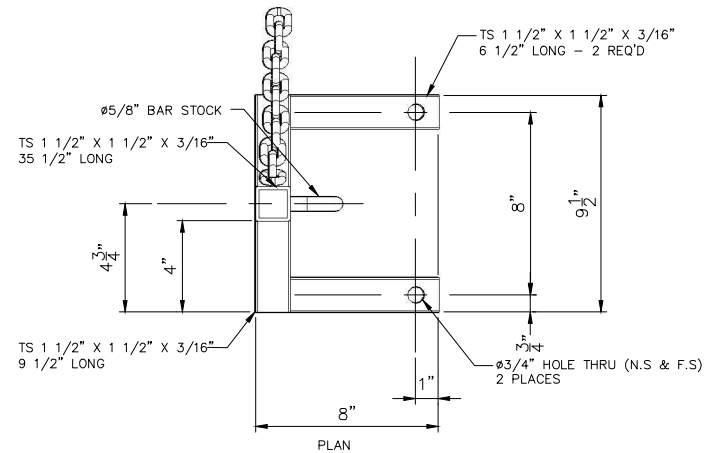
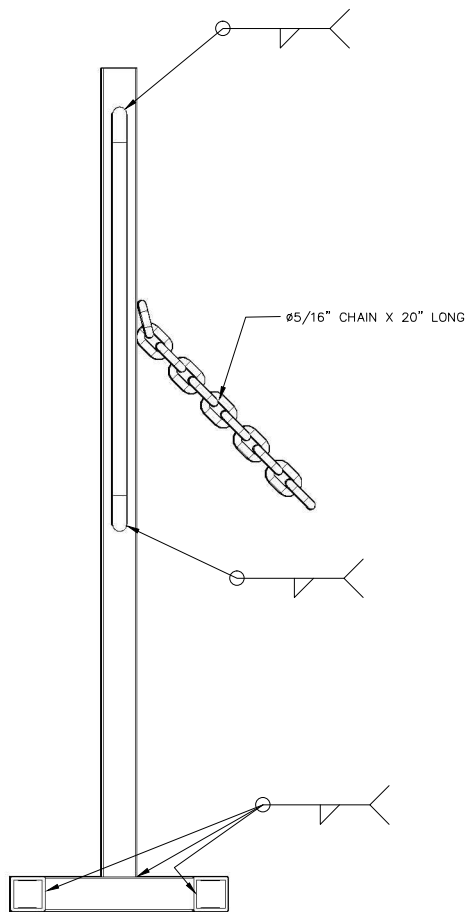


A  
B  
C  
D  
E  
F  
G  
H  
J

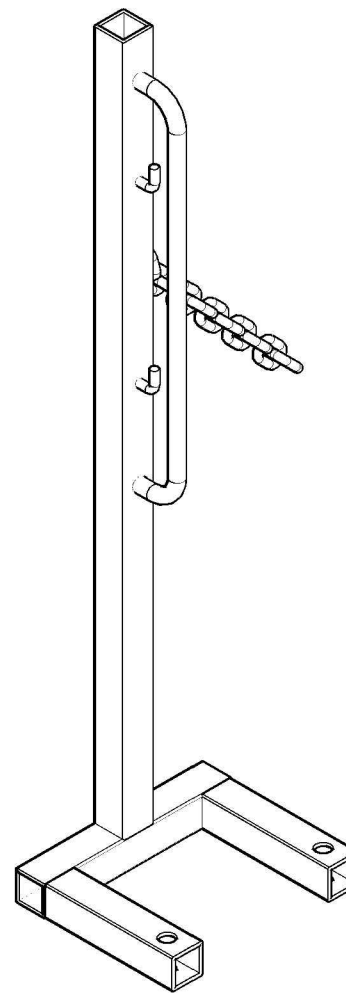


SIDE VIEW

LOCKOUT STAND  
SCALE: 3"=1'-0"



END VIEW



ISOMETRIC VIEW  
SCALE: NONE

**ISSUED FOR REVIEW**

R:\DesignProgress\PUMPING UNIT LOCKING DEVICE\LOCKING DEVICE.dwg 8-23-12 03:06:31 PM dhardgrove

DRAWING NUMBER		TITLE	
REFERENCE DRAWINGS			

A	8/12	ISSUED FOR REVIEW	DHH		
NO	DATE	DESCRIPTION	DRAWN BY	CHK'D BY	APP'D BY
REVISIONS					

<b>HESS</b>		<b>HESS CORPORATION</b> EXPLORATION & PRODUCTION		<b>NORTH DAKOTA PRODUCTION</b> GENERAL	
PUMPING UNIT LOCKOUT DEVICE					
MECHANICAL ASSEMBLY PLANS AND VIEWS					
DRAWN BY: DHH	DESIGN BY:	CHECKED BY:	APPROV'D BY:	DATE: 8/12	SCALE: AS NOTED
SIZE D	DRAWING No.	HESS DRAWING No.			REV A